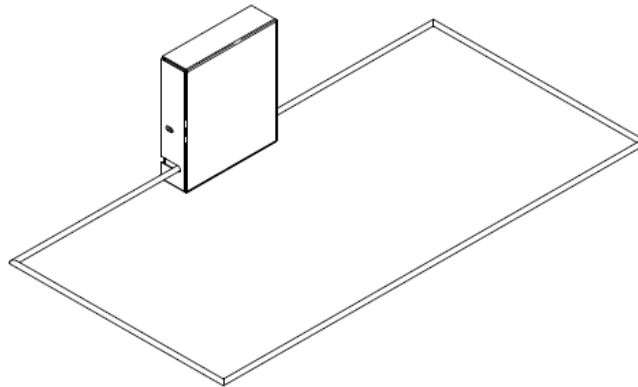


# Installing the furnace safety switch

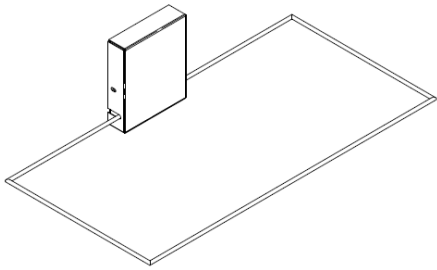
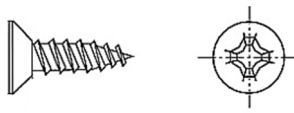


## 1. Introduce



This manual is a shortened version of the manual for the sauna emergency shutdown module. Before starting the installation, it is essential to read the safety rules described and detailed in the instructions for the emergency shutdown module of the sauna. Instructions can be downloaded from <https://ffes.pl/do-pobrania/>

## 2. Set composition

Position	Name	Quantity	Photo
1	Heater switch	1	
2	Montage screw $\varnothing 3,5 \times 9,5 \text{mm}$	4	

## 3. Tools needed for assembly

- Screwdriver
- Drill  $\varnothing 15 \text{mm}$
- Phillips screwdriver



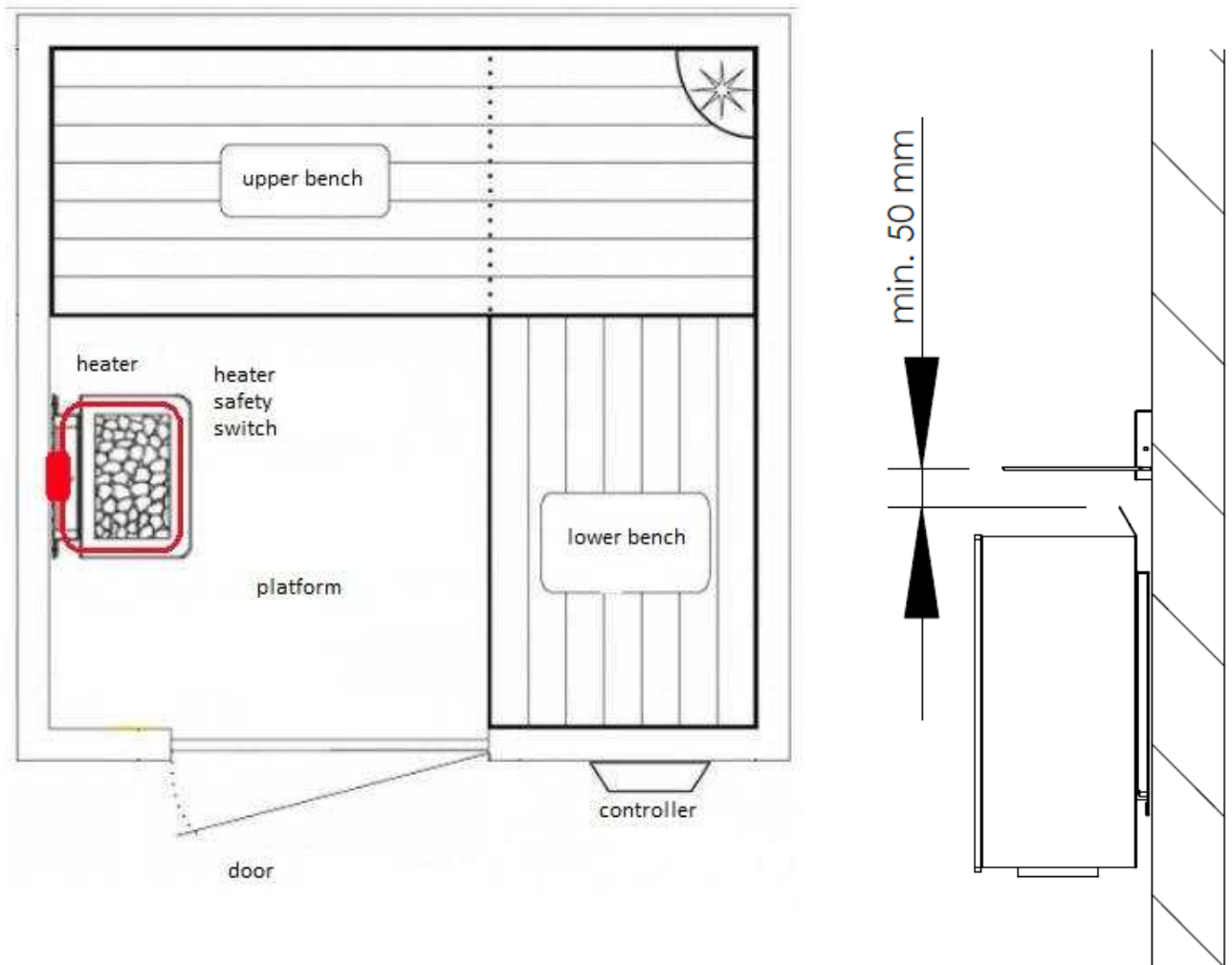
**Before starting assembly work, turn off the power supply to the device in which the safety switch will be connected!**

#### 4. Location of the switch

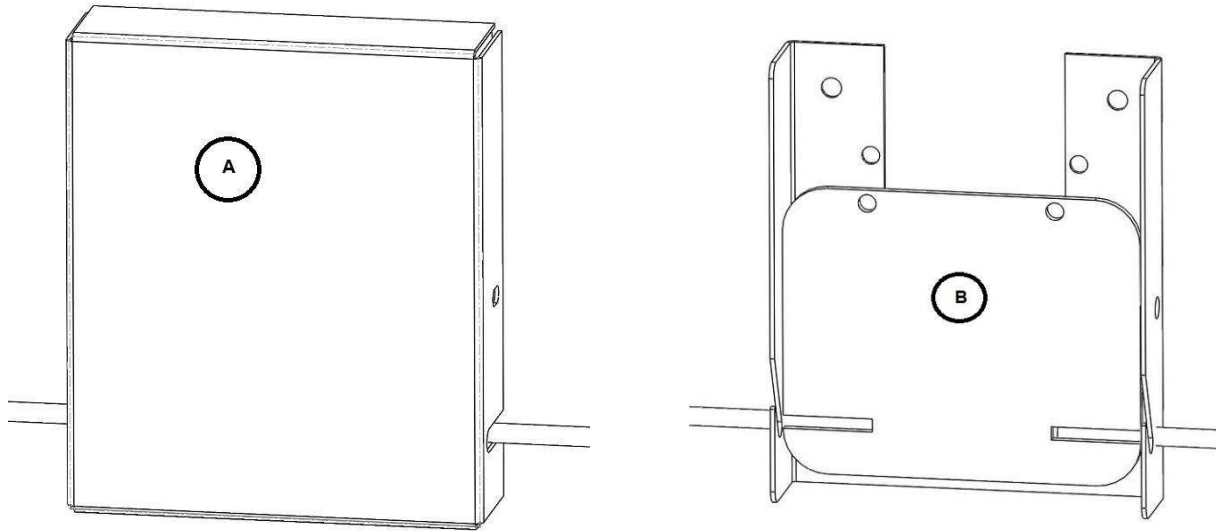
When installing the safety switch, take into account:

- easy access, in a safe environment,
- location above the furnace, allowing the arm to work freely,
- installing the switch at a minimum height of 50 mm from the upper edge of the furnace.

Example location of the safety switch in the sauna:

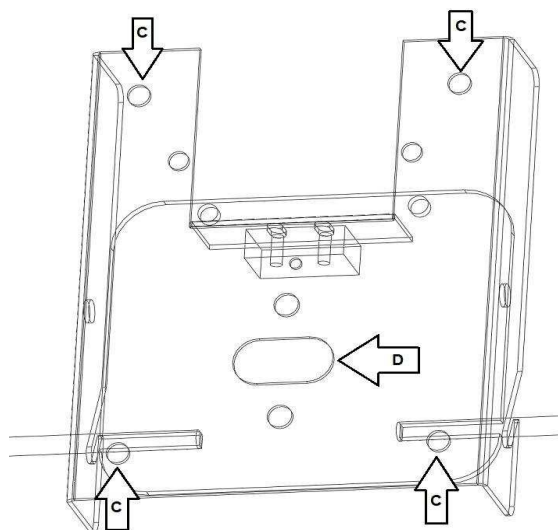


## 5. Switch installation

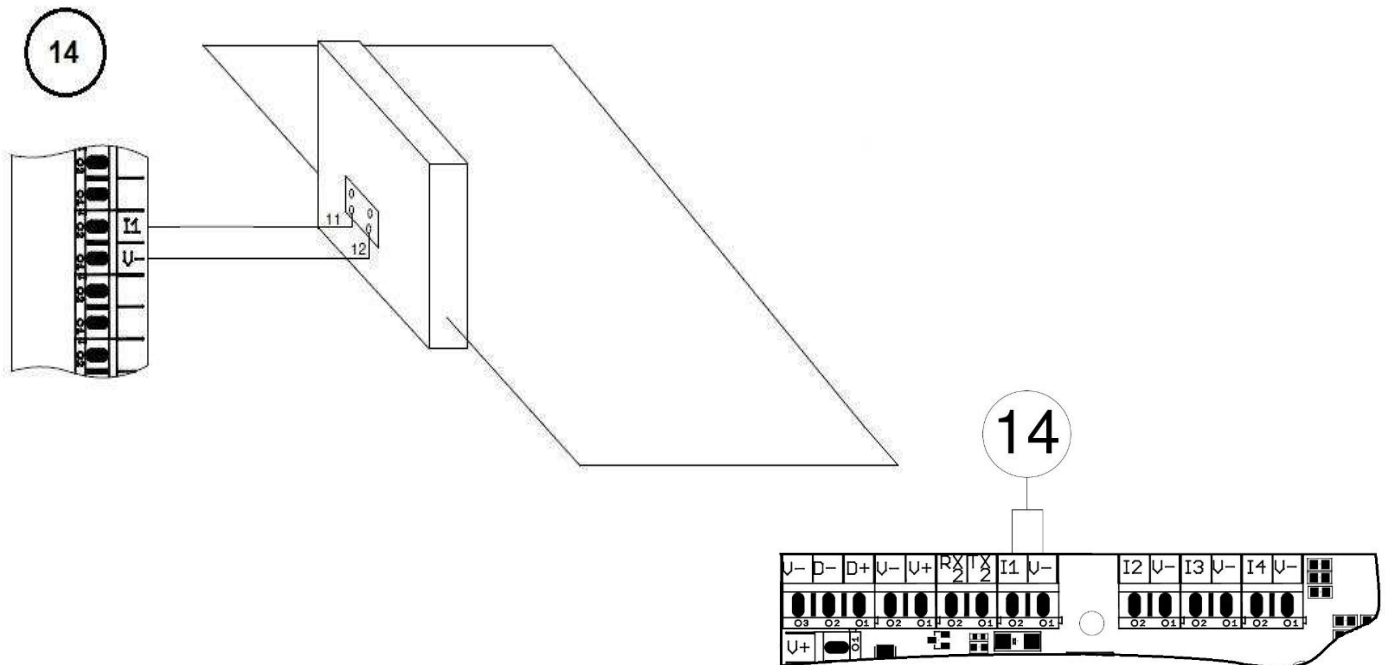


### Sequence of activities:

- Dismantle the sensor cover - part A,
- Dismantle the movable arm – part B,
- Place the bracket according to the correct location
- Mark the location of the hole for the connection cable (D)
- Make a hole in the wall  $\text{Ø}10\text{-}15$  mm, lead the sensor connection cable from the controller module box,
- Mount the bracket using screws  $\text{Ø}3.5 \times 9.5$ mm (table item 2) in the holes marked with the letter "C",
- Connect the signal cables;
- Reinstall part "B" and part "A",
- Check the sensor operation.



**6. Connecting the safety switch to the main board of the power module of the FFES controller of the ZXX, CXX, CXXmini series**



**7. Principle of operation of the furnace emergency switch**

The switch serves as additional fire protection. Its role is to detect (by exerting mechanical pressure on the sensor arm) objects located on the stove. When an object, e.g. a towel, falls on the stove, it will stop on its movable arm, triggering a signal that will be sent to the stove controller and recognized as an alarm. The alarm will immediately disconnect the power supply to the device or heater.

